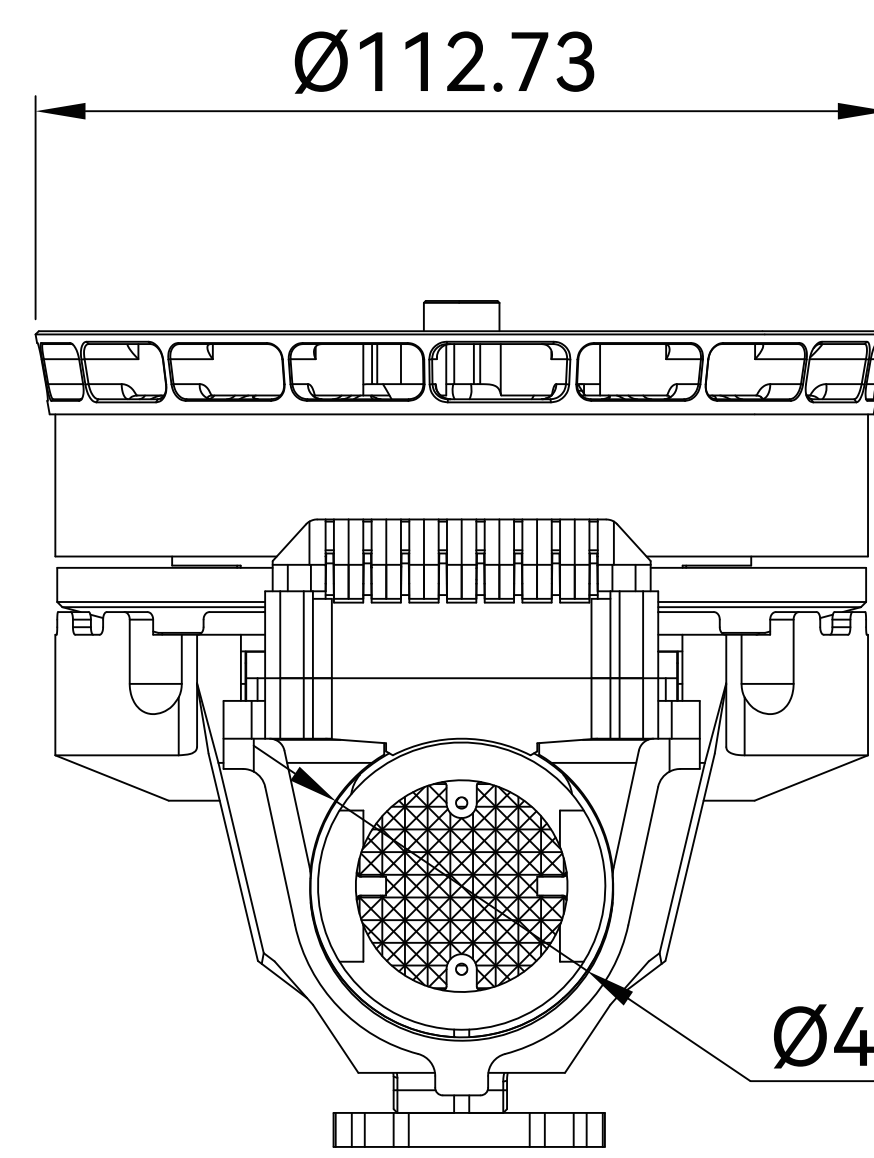


喷头挂载6\*M3

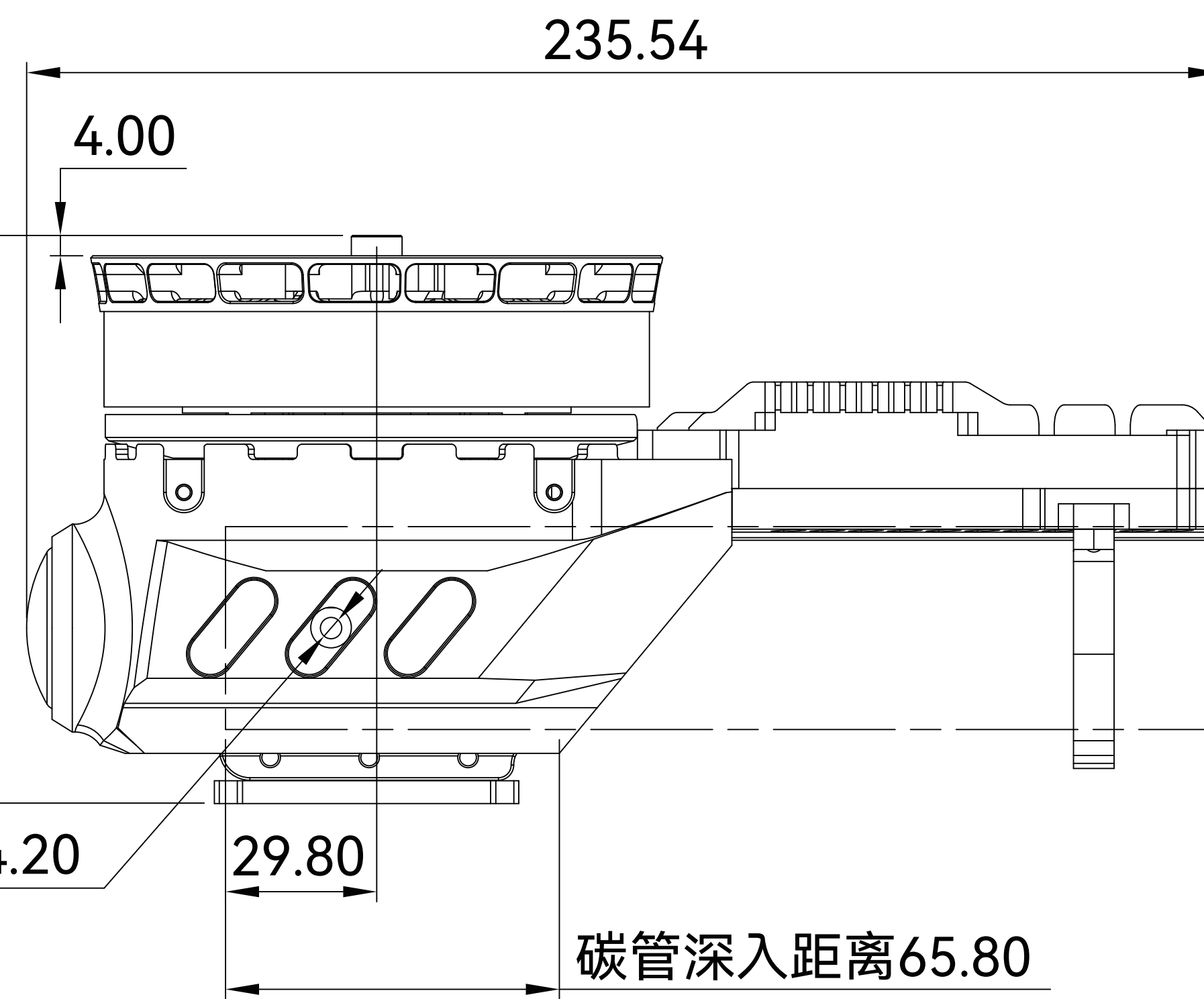
20.00



Ø112.73

Ø40.00<sup>+0.2</sup>/<sub>+0.1</sub>

销钉或铆钉孔Ø4.20



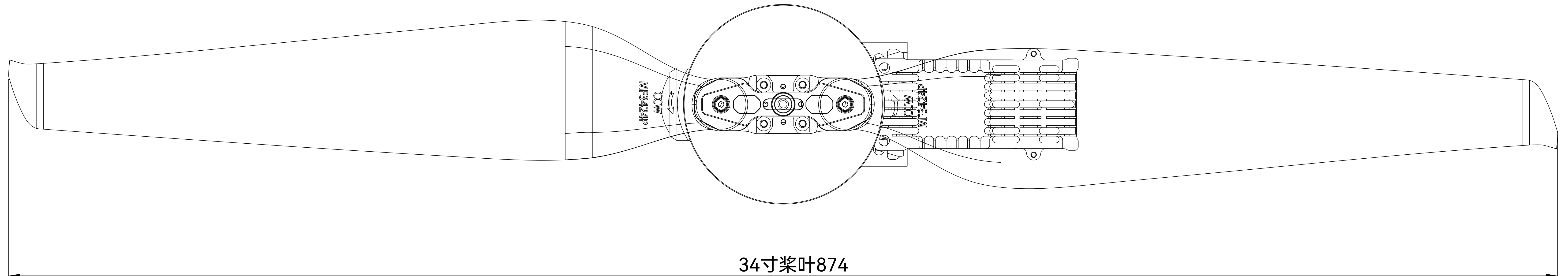
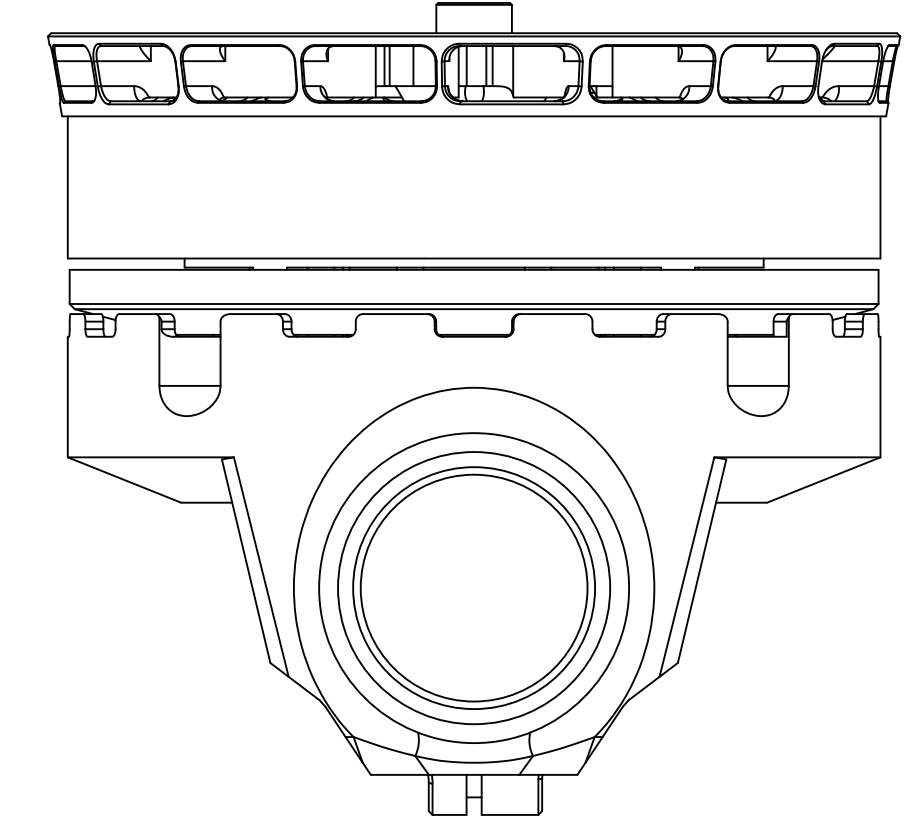
235.54

4.00

111.90

29.80

碳管深入距离65.80



34寸桨叶874