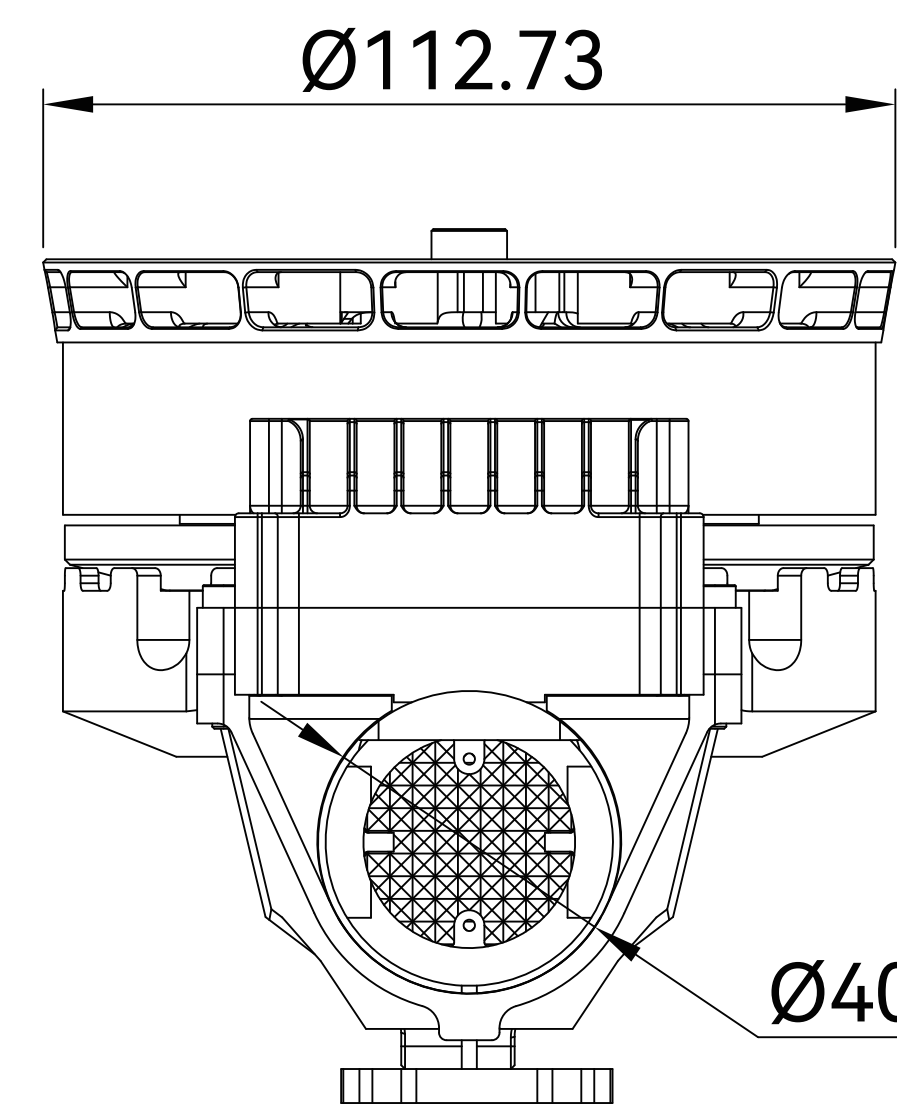


Sprinkler Mounting 6*M3

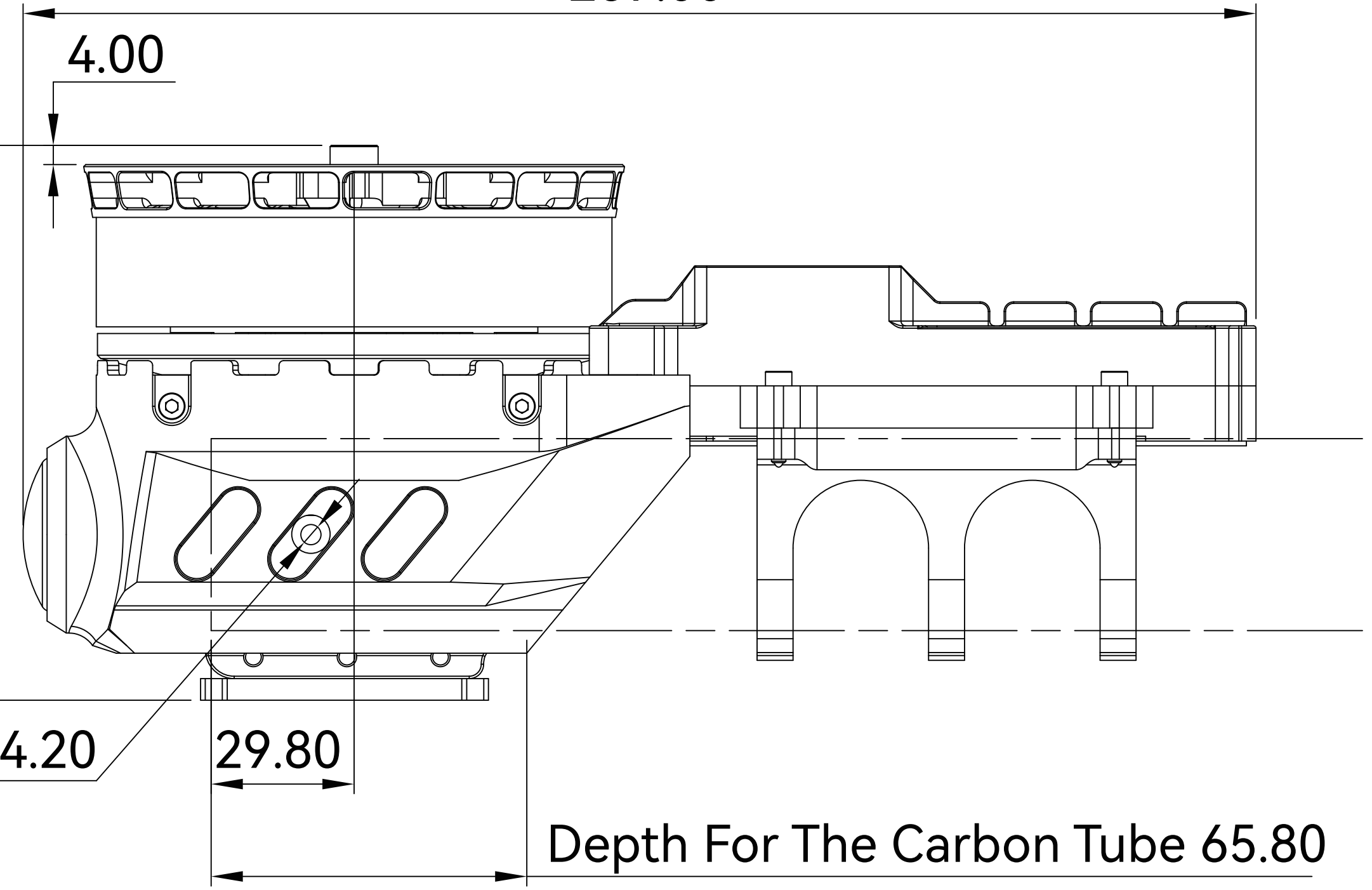
20.00



Ø112.73

Ø40.00^{+0.2}/_{+0.1}

Pin Or Rivet Holes Ø4.20



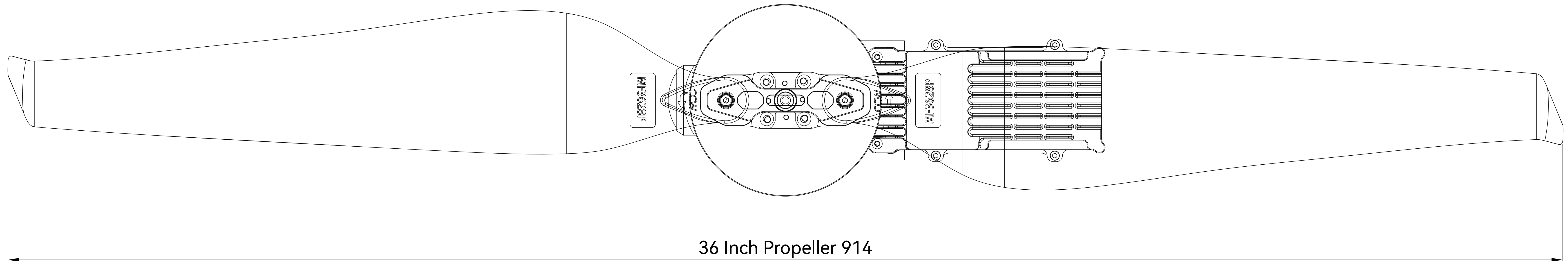
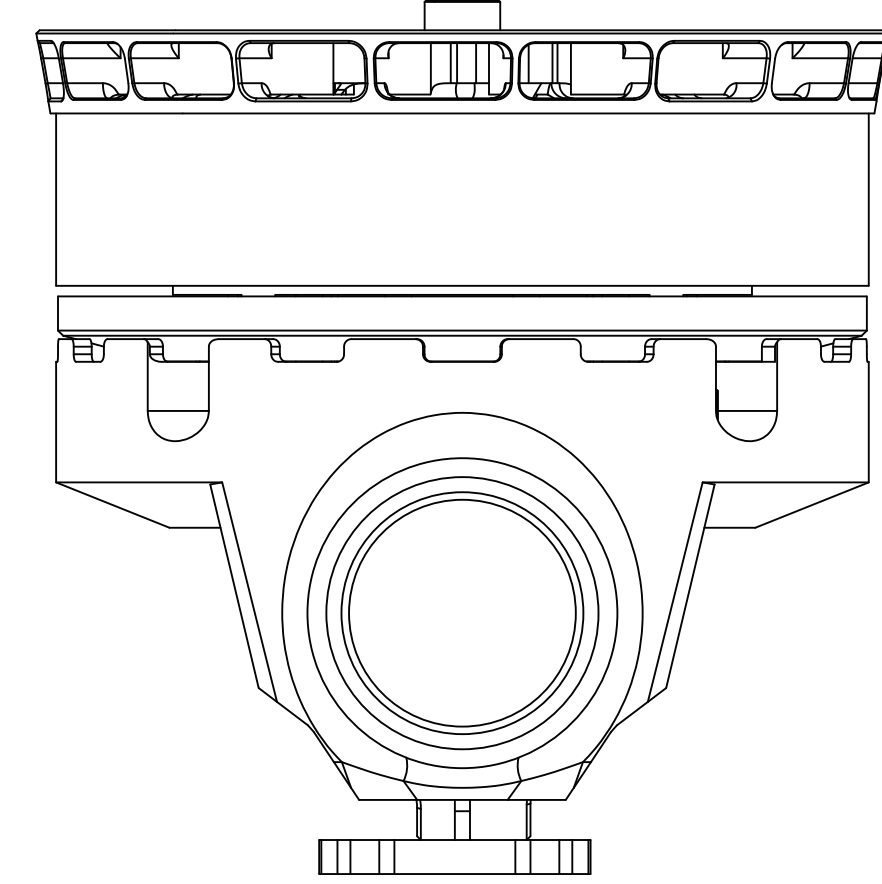
257.00

4.00

115.60

29.80

Depth For The Carbon Tube 65.80



36 Inch Propeller 914