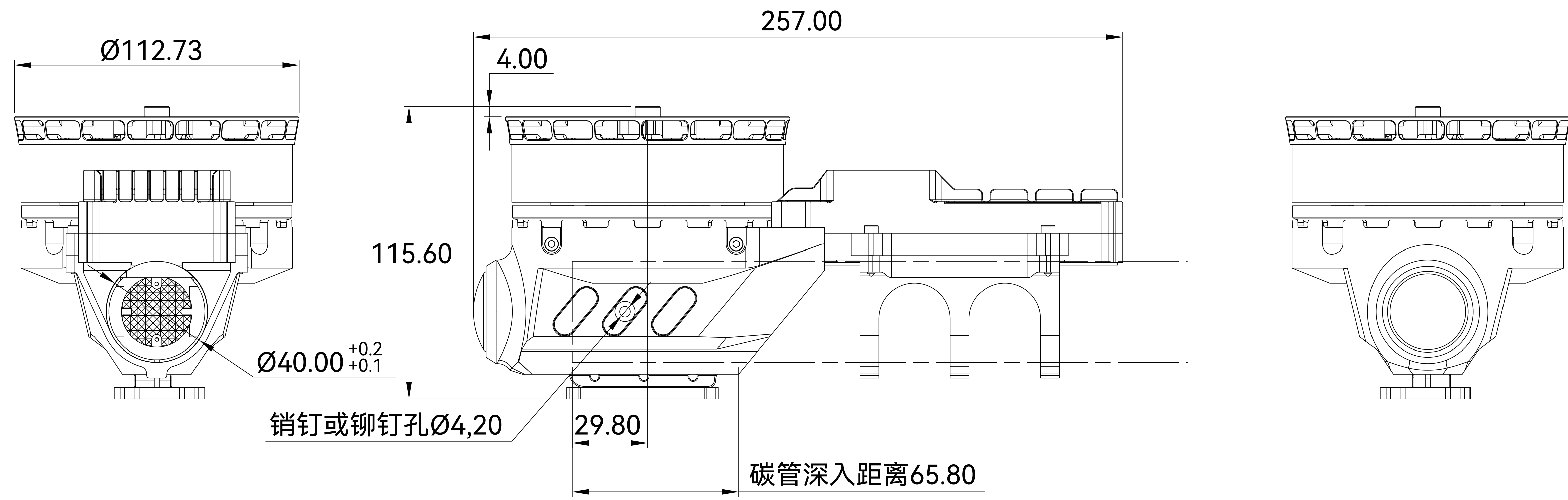


喷头挂载6\*M3

20.00



Ø112.73

257.00

4.00

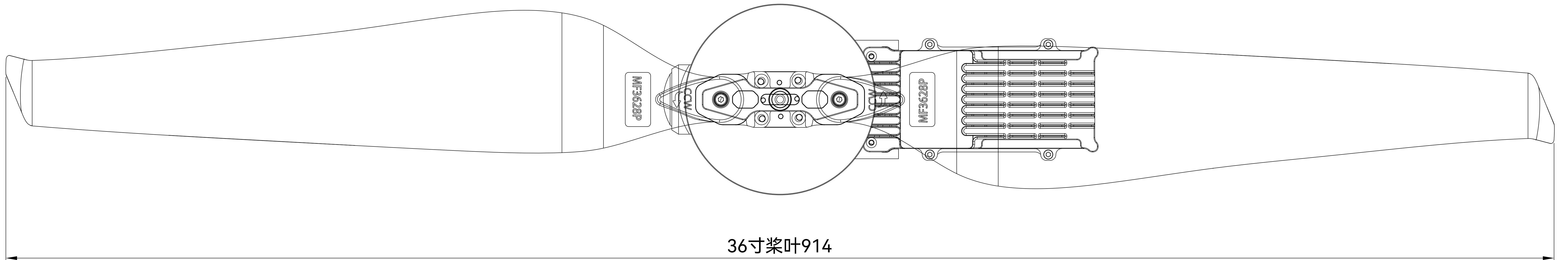
115.60

Ø40.00<sup>+0.2</sup>/<sub>+0.1</sub>

销钉或铆钉孔Ø4,20

29.80

碳管深入距离65.80



36寸桨叶914