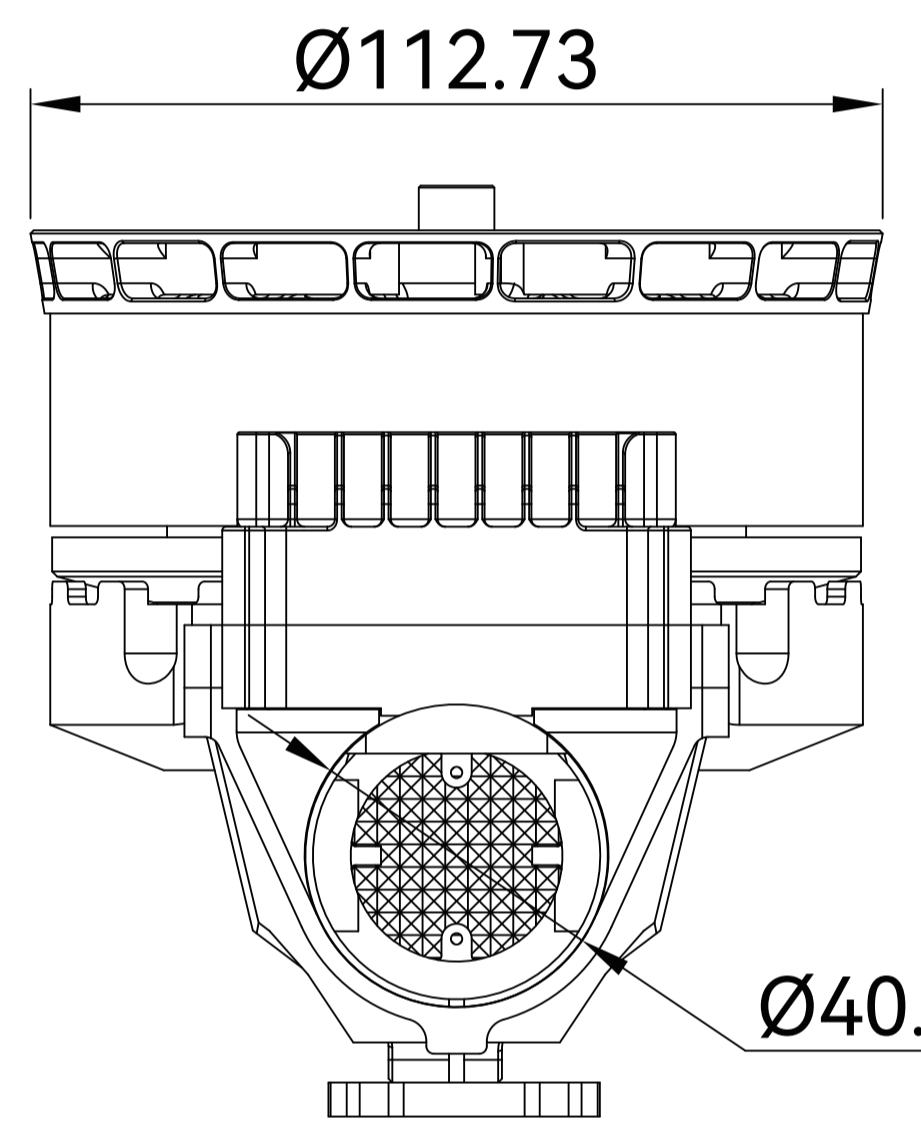


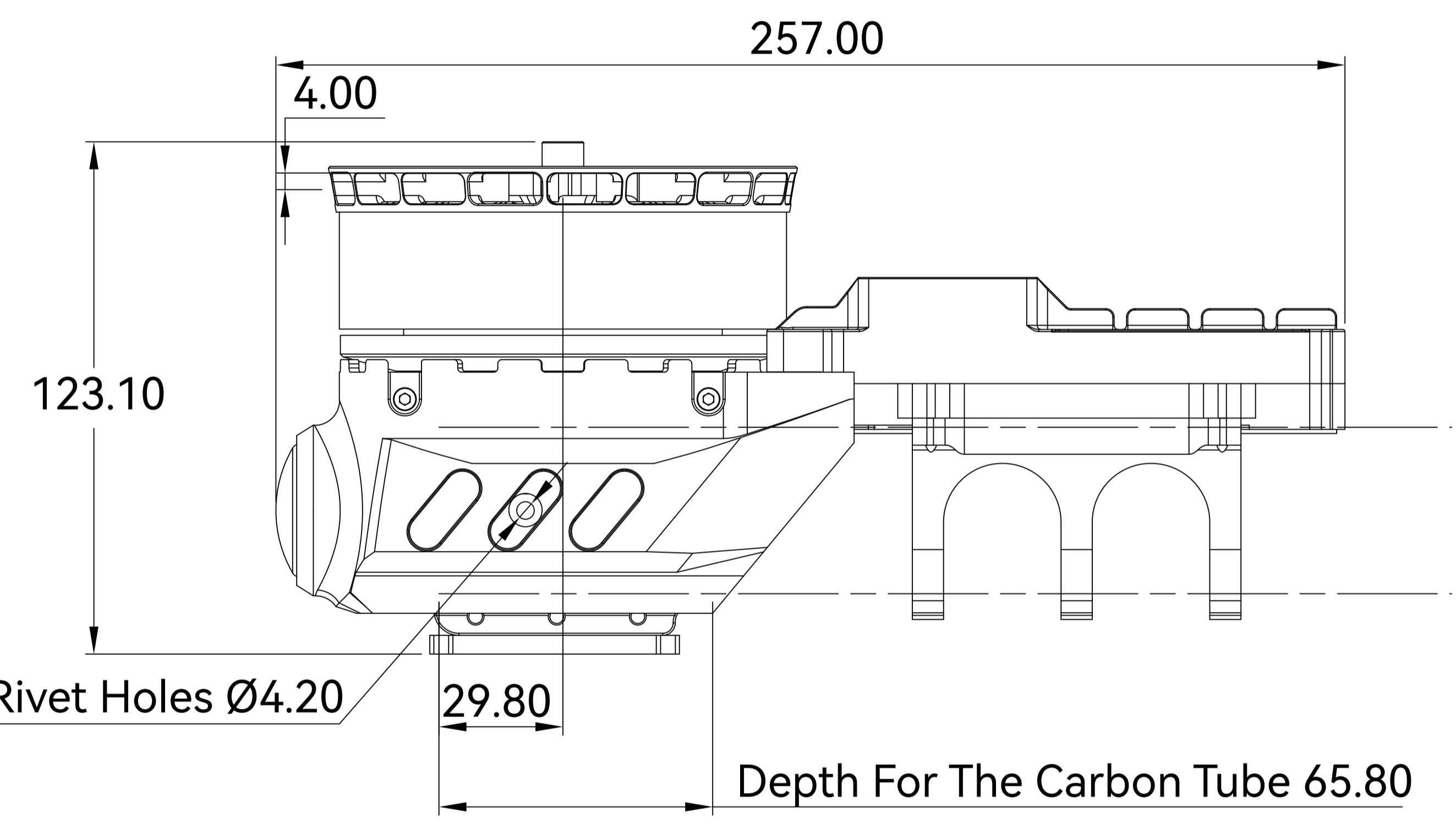
Sprinkler Mounting 6*M3

20.00



Ø112.73

Ø40.00^{+0.2}/_{+0.1}



257.00

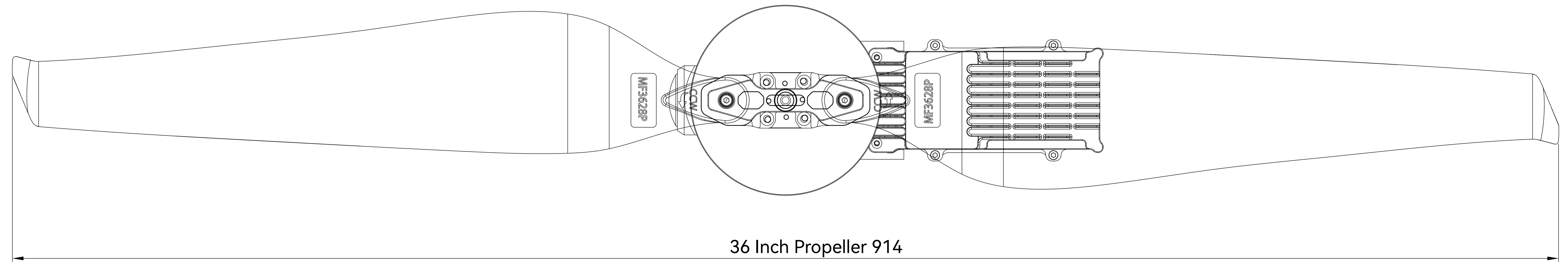
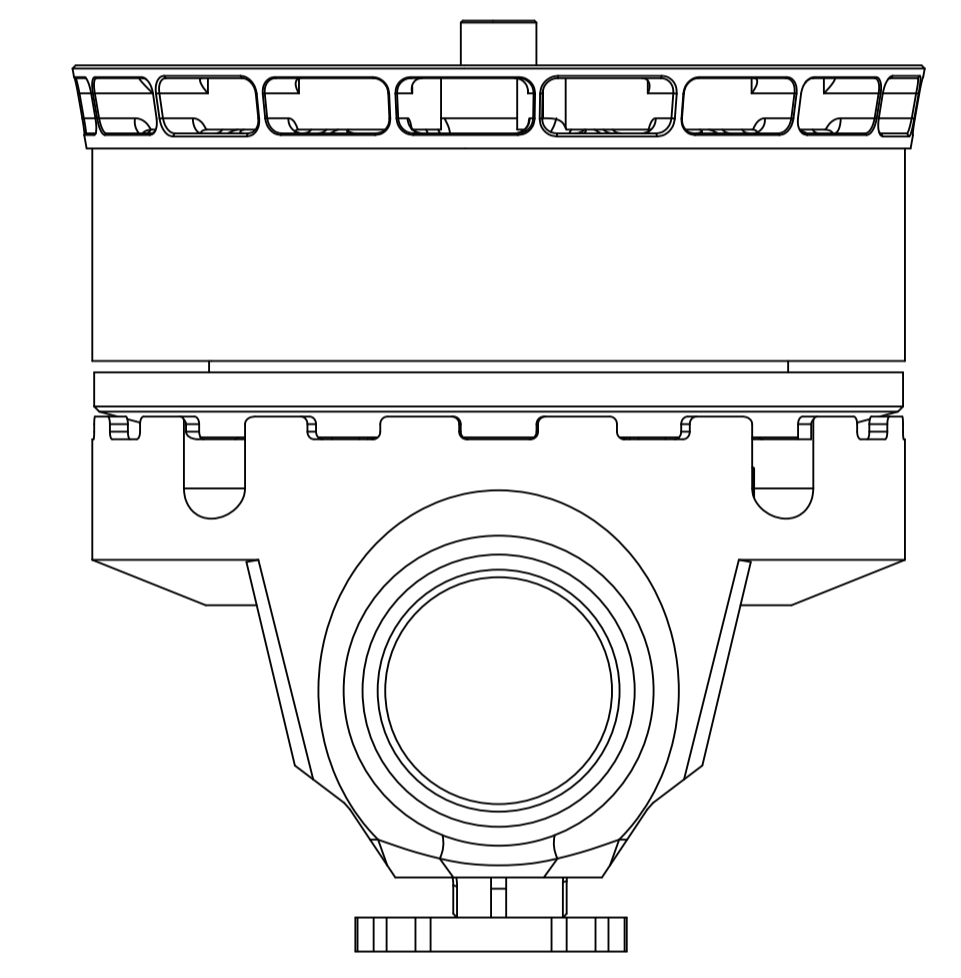
4.00

123.10

Pin Or Rivet Holes Ø4.20

29.80

Depth For The Carbon Tube 65.80



36 Inch Propeller 914