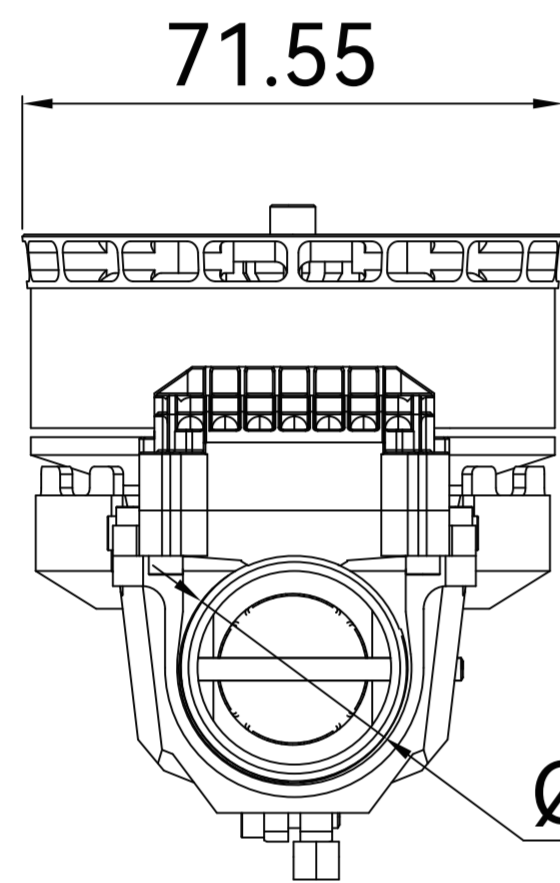
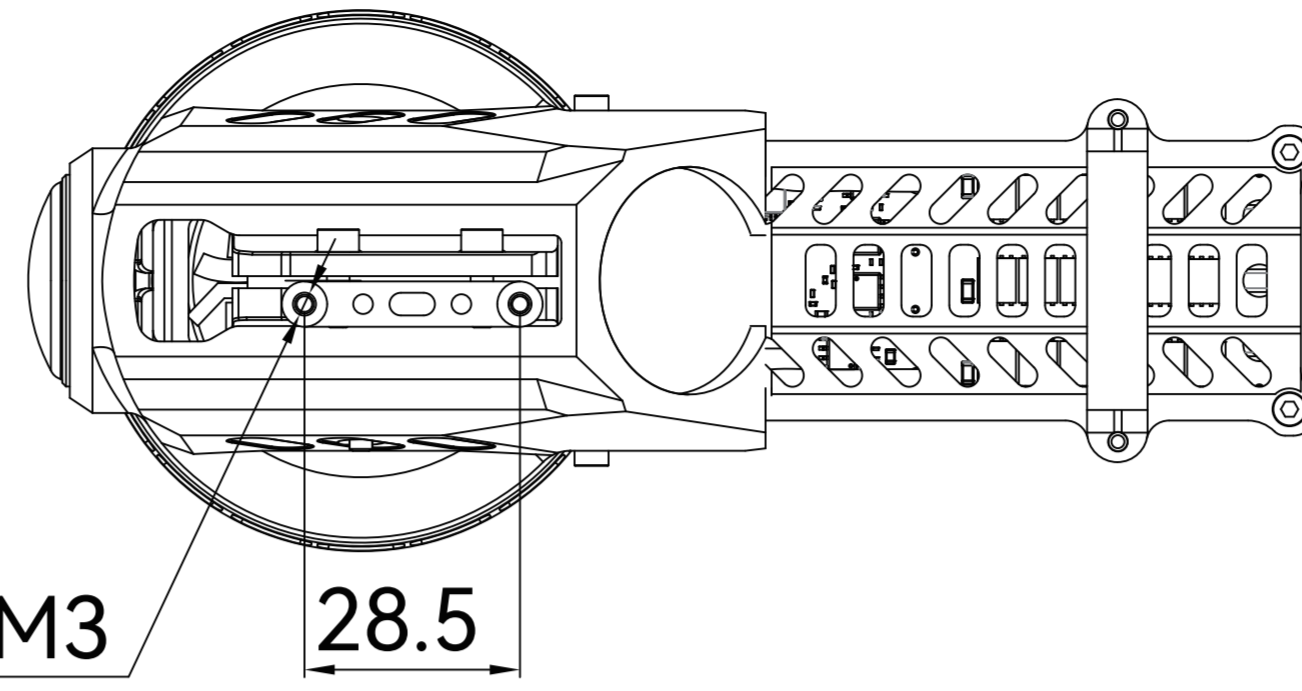


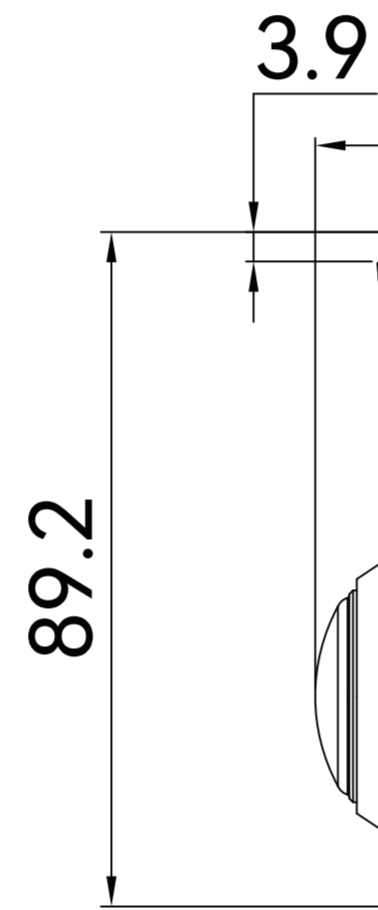
Sprinkler Mounting 2-M3

28.5



$\text{Ø}30$ $+0.2$
 $+0.1$

Pin Or Rivet Holes $\text{Ø}3.2$

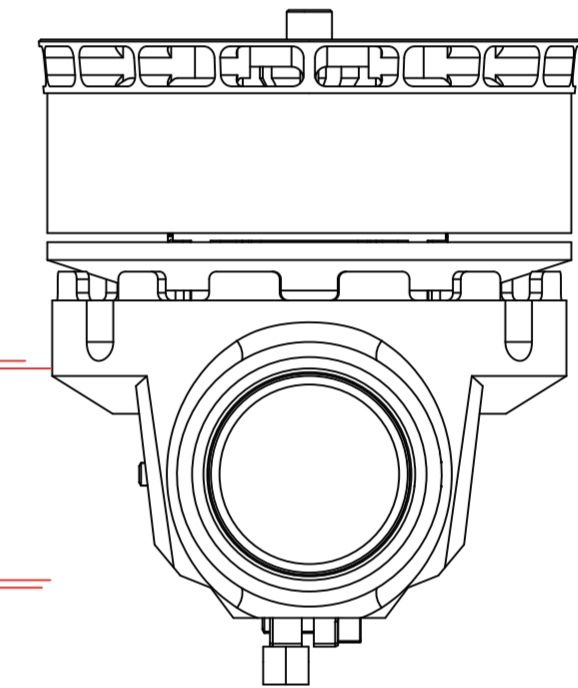
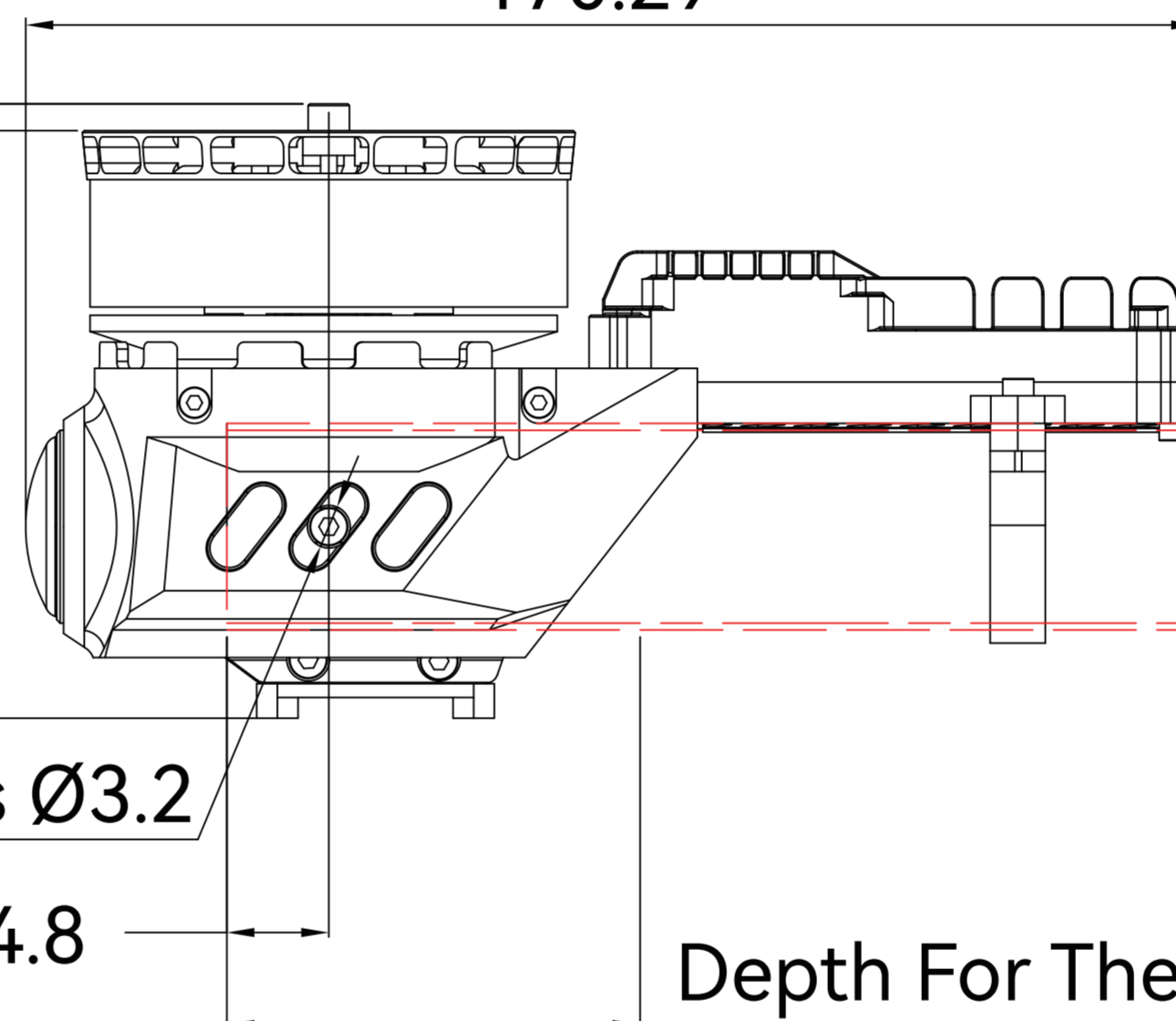


14.8

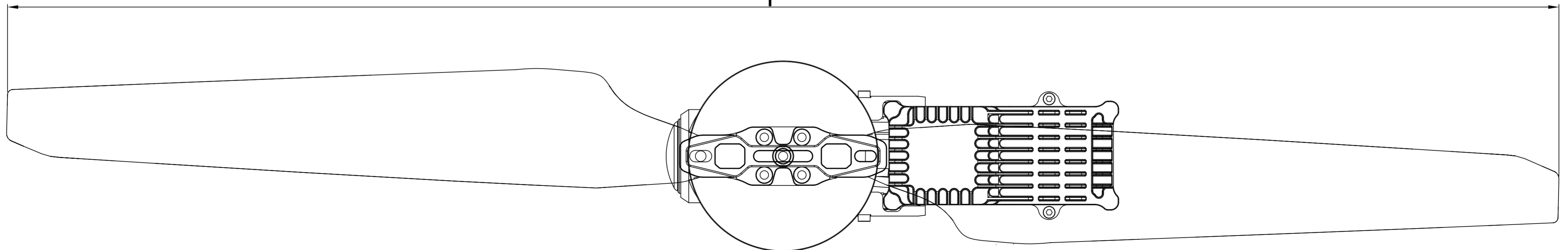
Depth For The Carbon Tube 60

3.9

170.29



23 Inch Propeller 585mm



Unit: mm